



Certified According to Standards

ICAO: Annex 14, Volume I - Aerodrome Design and Operations
Annex 14, Volume II - Heliports
Doc. 9261 Heliport Manual

FAA: AC 150/5390-2

Application

FATO, Approach aiming point and Taxiway



Features

- Medium intensity constant voltage elevated perimeter light
- Single LED optic technology
- Durable powder coat finish lasts longer
- IN - OUT cable entry with PVC gland
- Light intensity up to 100 cd - according to CIE Chromaticity Boundary
- Optional: NVG compatible LEDs, Solar Powered

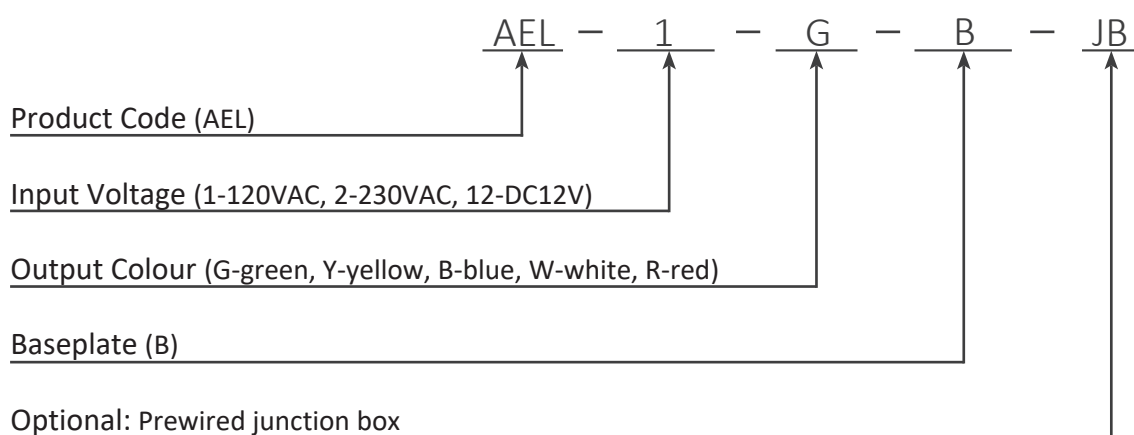
Environment

Temperature range	-30°C to +55°C
Degree of protection	IP66
Degree of impact protection	IK08

Description

Housing	Powder-coated die-cast aluminium
Diffuser	Transparent UV-resistant polycarbonate
Power	3 Watt
Cable gland	PVC gland IP66 rates
Fasteners	Stainless steel
Weight	2.3kg
Voltage	AC230V, AC120V, DC12V

Product Code



Mounting Types

