



**Certified
According to
Standards**

ICAO: Annex 14, Volume I - Aerodrome Design and Operations
Annex 14, Volume II - Heliports
Doc. 9261 Heliport Manual

FAA: AC 150/5390-2

Description

The WHITE FLOODLIGHT is a light of 10,000 cd intensity with multi-LEDs technology, developed with an aluminium design for a natural fresh cooling system. It has been designed for an easy installation.

Features

- Life time >5 years
- Multi LEDs technology.
- Integrated radiator for a natural cooling
- Anti-glare shield and frangible mount
- Optional: Solar power supply

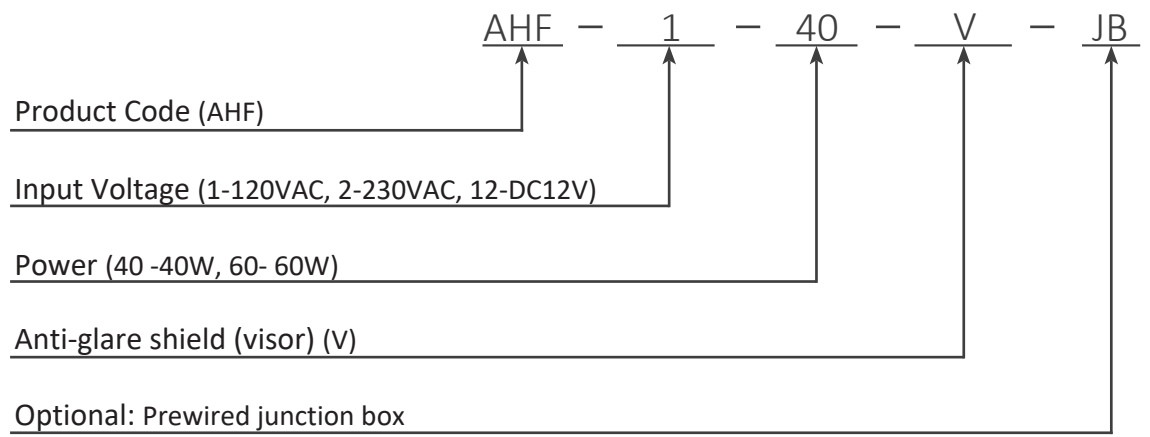
Environment

Temperature range	-30°C to +55°C
Degree of protection	IP66
Windspeed	240 Km/h

Specification

Source	LEDs
Diffuser	UV-resistant polycarbonate
Power	40W (on request available 60W)
CCT	6000K
Fasteners	Stainless steel
Weight	3.4kg
Voltage	AC230V, AC120V, DC12V

Product Code



Mounting Types

