



Certified According to Standards

ICAO: Annex 14, Volume I - Aerodrome Design and Operations
Annex 14, Volume II - Heliports
Doc. 9261 Heliport Manual

FAA: AC 150/5390-2

Application

TLOF, FATO, Approach aiming point and Taxiway



Features

- Designed and built with simplicity and ease of maintenance in mind
- High power LED technology with dimmable function
- Lightweight, low-energy and environment friendly lighting fitting
- Extensive use of aluminium alloys reduces fitting weight and eases handling in the field
- Light fixtures are designed to be mounted on any hard flat surface such as; concrete, asphalt

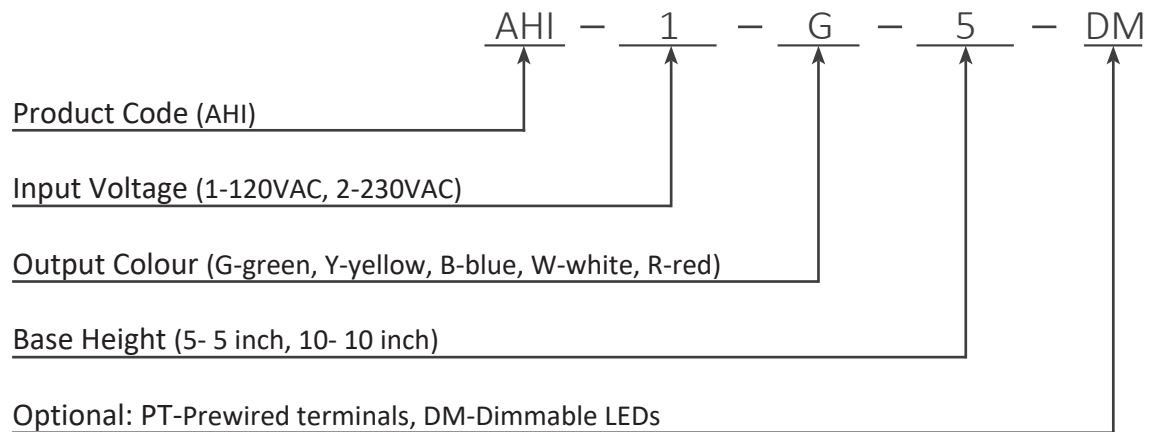
Environment

Temperature range	-30°C to +55°C
Degree of protection	IP67

Description

Housing	8 inch, powder-coated cast aluminium (On request RAL1004 yellow coated)
Lens	Borosilicate glass
Power	8W
Cable gland	Nickel-plated brass
Fasteners	Stainless steel
Weight	4.8kg
Dimension	203mm (8 inch) x 127mm (5 inch)

Product Code



Optical Features

Elevation (E)	Luminous Intensity
$20^\circ < E \leq 90^\circ$	3 cd
$13^\circ < E \leq 20^\circ$	8 cd
$10^\circ < E \leq 13^\circ$	15 cd
$5^\circ < E \leq 10^\circ$	30 cd
$2^\circ < E \leq 5^\circ$	15 cd

Mounting Types

