



Product Application

Petroleum mining, Oil refining, Chemical industry and other dangerous environment
 Suitable for Zone 1 and Zone 2 of explosive gas environment
 Suitable for Zone 21 and Zone 22 of flammable dust environment
 Suitable for T1-T6(T5) of temperature group
 It could work for places with high protection requirements and poor wet environment

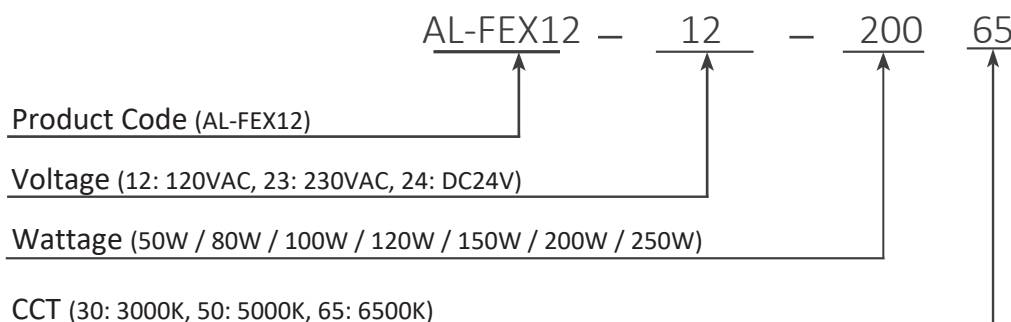
Features

LED light source, with an average service life of up to 100,000 hours.
 Power supply adopts wide voltage for constant current output, and has short-circuit and over-voltage protection
 Heat dissipation: Explosion-proof electrical box and lamp holder double cavity design
 Excellent heat dissipation performance ensuring the service life of the lamp
 Anti-corrosion Grade WF2
 Ex d e mb IIC T6

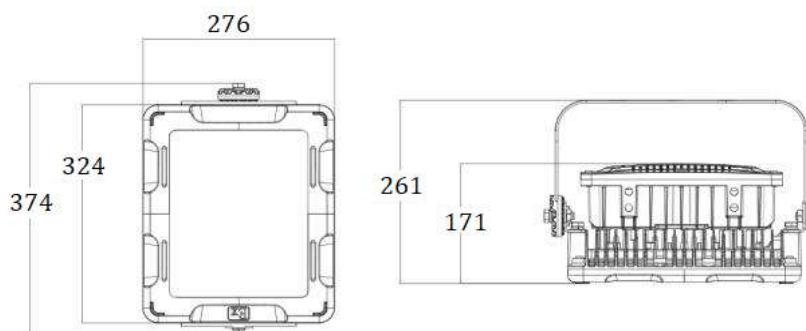
Specifications

Power: 50-250W
 Input Voltage: AC110-240V , 50/60Hz (on request DC24V)
 Protection Level: IP66
 Beam spread 90°
 Anti-corrosion Grade WF2
 Ex d e mb IIC T6 Gb
 Efficacy: 120lm/w
 Power factory >0.95
 Temperature range -30°C to +50°C
 Correlated Color Temperature (CCT): 3000K/5000K/6500K
 Color Rendering Index >75Ra
 Service Life 100,000 hours
 Warranty: 3 years (on request 5 years)
 Dimensions: 374*276*171mm
 Weight: 9.0kg

Product Code



Drawing



Mounting

