

Product Application

Petroleum mining, Oil refining, Chemical industry and other dangerous environment
 Suitable for Zone 1 and Zone 2 of explosive gas environment
 Suitable for Zone 21 and Zone 22 of flammable dust environment
 Suitable for T1-T6(T5) of temperature group
 It could work for places with high protection requirements and poor wet environment

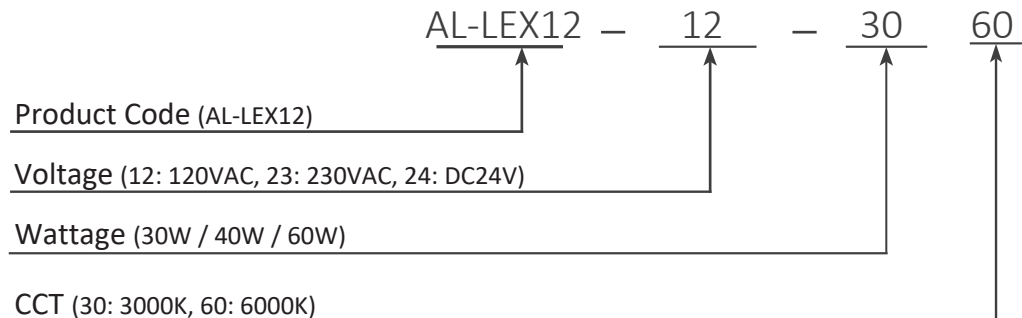
Features

LED light source, with an average service life of up to 100,000 hours.
 Power supply adopts wide voltage for constant current output, and has short-circuit and over-voltage protection
 The radiator is extruded with an integrated profile, the structure is tight, and it has excellent heat conduction and heat dissipation performance
 Optical lampshade: High-strength optical grade PC material, Corrosion resistance, Impact resistance, Light transmittance can reach up to 98%, Anti-glare
 The surface of the lamp body radiator is anodized, the die-casting parts are treated with high-pressure electrostatic spraying, the fasteners are stainless steel.
 Explosion proof grade: Ex IIC T6 Gb /Ex tD A21 IP66 T80

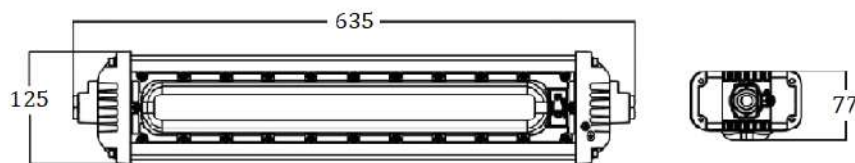
Specifications

LED 2835
 Power: 20W / 30W / 40W / 60W
 Input Voltage: AC110-240V , 50/60Hz (on request DC24V)
 Protection Level: IP66
 Beam spread 120°
 Anti-corrosion Grade WF2
 Ex IIC T6 Gb /Ex tD A21 IP66 T80
 Efficacy: 120lm/w
 Power factory > 0.95
 Temperature range -30°C to +50°C
 Correlated Color Temperature (CCT): 3000K/6000K
 Color Rendering Index > 70Ra
 Service Life 100,000 hours
 Warranty: 3 years (on request 5 years)
 Dimensions: 635*125*77mm
 Weight: 3.0kg

Product Code



Drawing



Mounting

