



### Compliance According to Standards

**ICAO:** Annex 14, Volume I - Chapter 6  
**FAA:** L-865 to FAA AC 150/5345-43G  
FAA engineering briefs 67D & 98

### Application

Rules concerning aircraft beaconing are established by the ICAO (Annex 14, Chapter 6). Medium intensity beacons can be installed on structures above 45 meter in height. Such as telecom tower, buildings, tower crane, bridges, wind turbine and chimney.

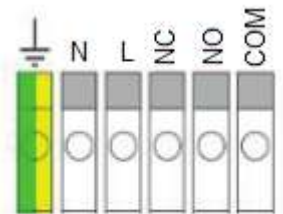
### Description

The MIOL is a medium intensity light with multi-LEDs technology. Dedicated to a white and night beaconing, it is a long life time system (>100,000 hours), very strong with a low consumption (10W at 30 flashes/minute). The MIOL is provided with a photocell for an automatic switch ON/OFF, GPS for flashing synchronization, and a dry contact for failure alarm. Moreover, and it is designed for an easy installation.

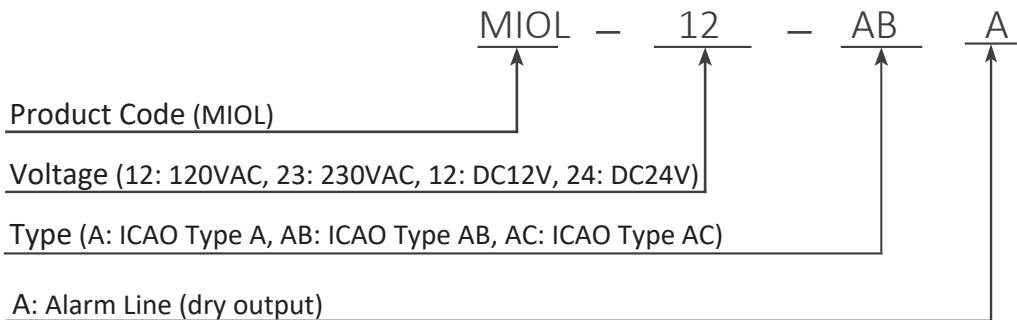
## Specifications

- ICAO Type: A/B & A/C Medium Intensity Obstacle Light
- FAA Type: L864, L865 or L-865/864 Medium Intensity Lighting
- Type: ICAO type A (day & night white flashing)
  - ICAO Type AB (day white flashing & night red flashing)
  - ICAO Type AC (day white flashing & night red steady burning)
- Intensity: Day mode (White) >20,000 candela, Night mode (White or Red) >2,000 candela
- Powder coated aluminium base
- Aluminium heatsink provides excellent thermal dissipation performance
- OSRAM LEDs, UV resistant GE polycarbonate lens
- Polarity reverse, overvoltage and shortcircuit protection
- Power consumption: Day 35Watts, Night 10Watts
- Horizontal beam 360°, Vertical beam >3° (minimum)
- Flash rate: 40 FPM (day), 30 FPM (night)
- Integrated photocell, GPS and dry contact (on request)
- Input voltage 120-240VAC, DC12V, DC24V, DC48V
- Protection class IP66
- Ambient temperature -30°C to +55°C
- Windspeed 240Km/h
- Weight 9kg
- Warranty 5 years

## WIRING



## Product Code



\*Integrated photocell is by default included, provided with photocell on/off switch  
 \*Integrated GPS is by default included.

## Drawing

